

Faldo





Variations

Legs/frame

- + round tubular steel
- + conical tubular steel
 - + bright chrome
 - + satin chrome

Top

- + standard laminate

Lipping (on all sides)

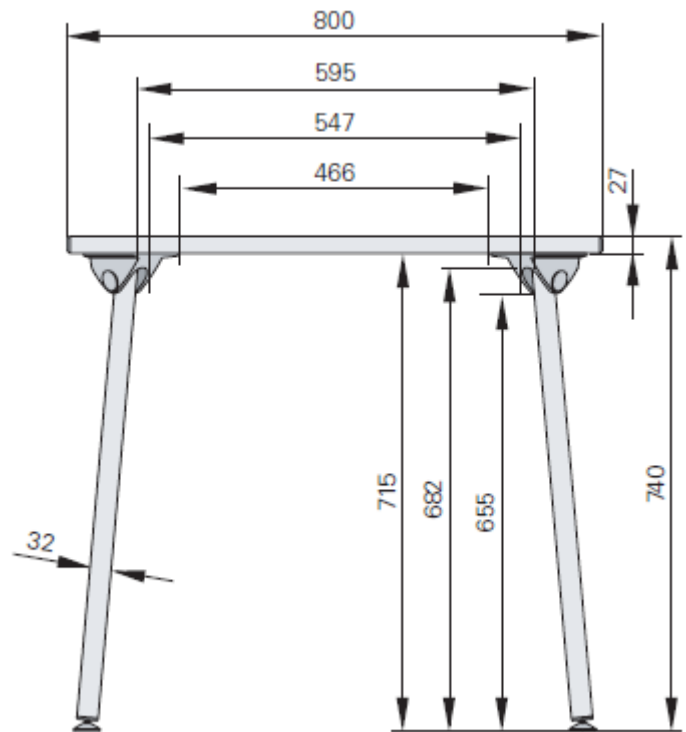
- + plastic 2-3 mm
- + acrylic 2-3 mm
- + beech 5 mm
- + beech plywood 20 mm trapezoidal (for round tables)
- + beech 20 mm trapezoidal
- + all wooden lippings with standard stain/stain colour

Glides

- + height adjustable articular glides

Faldo in numbers

- + stacking height: 10,5 cm (4 in.)
- + stackability: 10 units
- + weight per leg: 1,5 kg (3.3 lb)
- + weight HPL top 27 mm dimension 140x70 cm: 18,3 kg



2 Year Warranty

Options include the following shapes:

